

「超高速ネットワークを利用したアジア遠隔医療プロジェクト」AQUA (Asia-Kyushu Advanced Medical Network)活動報告

清水, 周次
九州大学病院

中島, 直樹
九州大学病院

<https://doi.org/10.15017/8299>

出版情報 : 「超高速ネットワークを利用したアジア遠隔医療プロジェクト」 TEMDEC活動報告. 1, pp.1-116, 2005-04. AQUA事務局

バージョン :

権利関係 :

2) システム構成

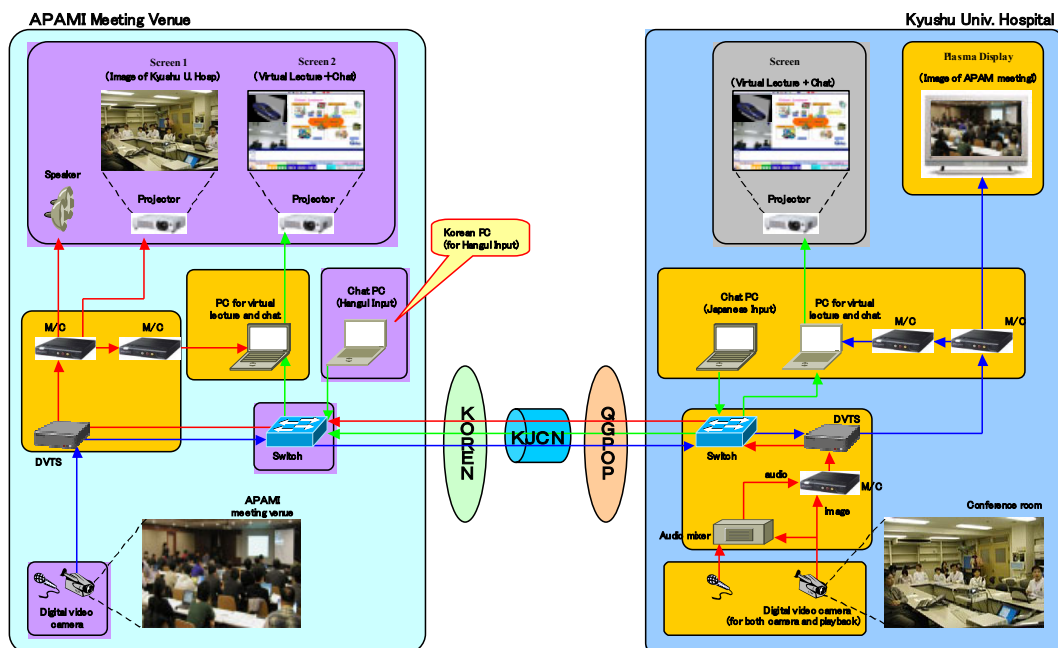
#3 ライブ手術中継 (胃) 2003.8.22



#5 アジア太平洋医療情報学会 (APAMI) 2003.10.21

Plan of Network Configuration of APAMI2003 Medical Teleconference

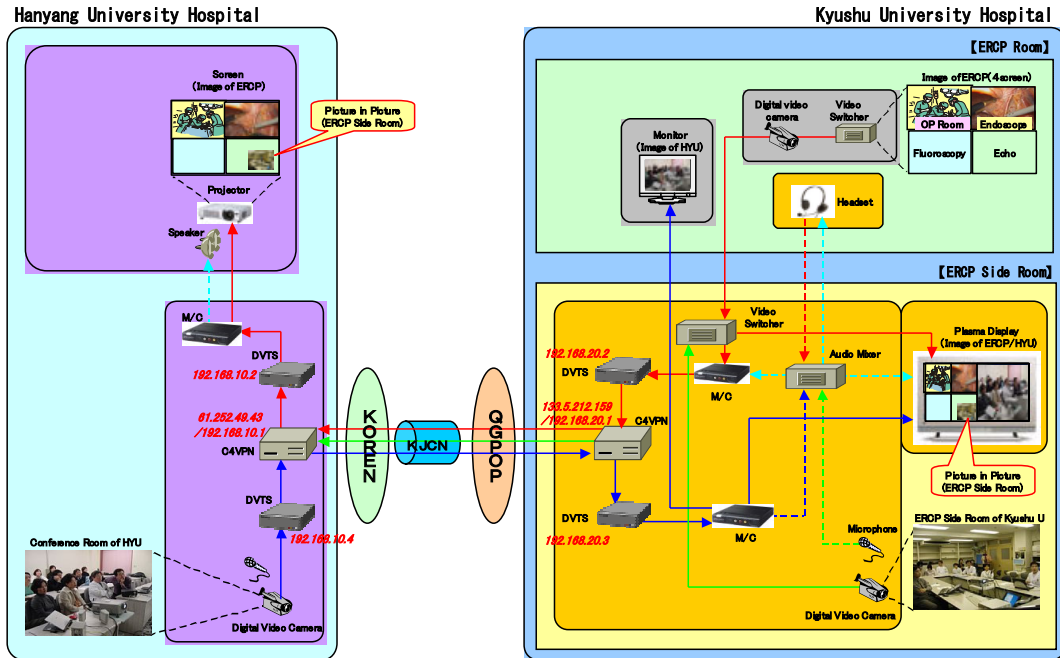
no tes	Kyushu U. Hospital	Preparation by Kyushu U Hospital
APAMI Meeting Venue	APAMI Meeting Venue	Preparation by APAMI
Virtual lecture+Chat data	Virtual lecture+Chat data	Preparation by QIO(e! Project)



#9 内視鏡的逆行性膝・胆道造影ライブ中継 2004.2.24

Plan of Network Configuration of Telemedicine event

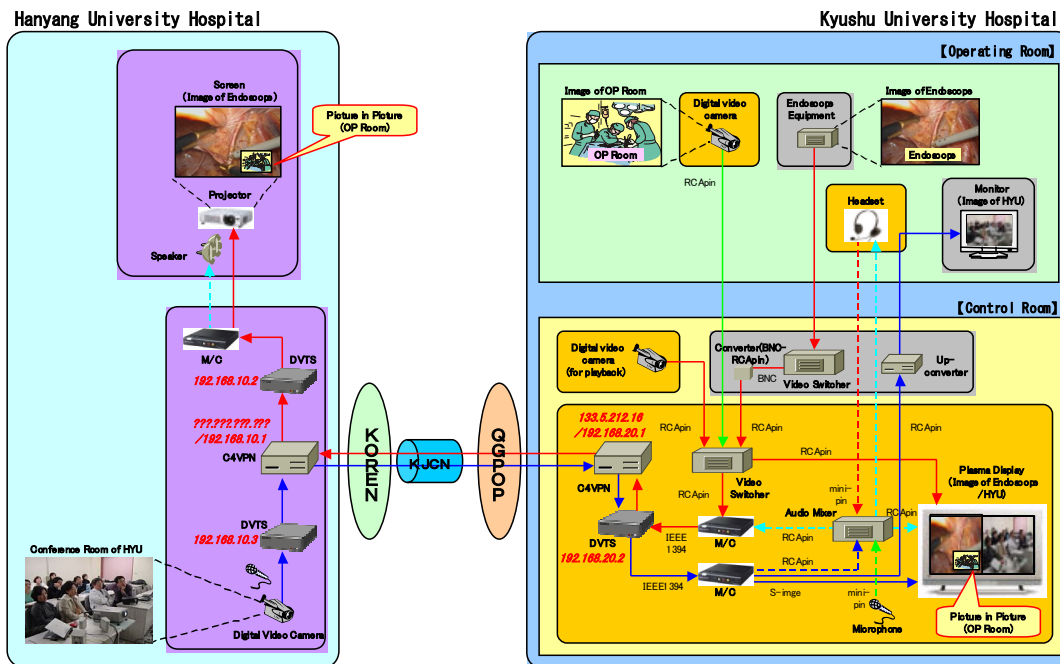
Notes	
— ERDP	--- Audio
— Conference Room of HYU	■ Preparation by Kyushu.U Hospital
— ERDP Side Room of Kyushu U	■ Preparation by HYU
--- Mixed Audio	■ Preparation by QIC



#10 ライブ手術中継 (脳外科) 2004.5.25

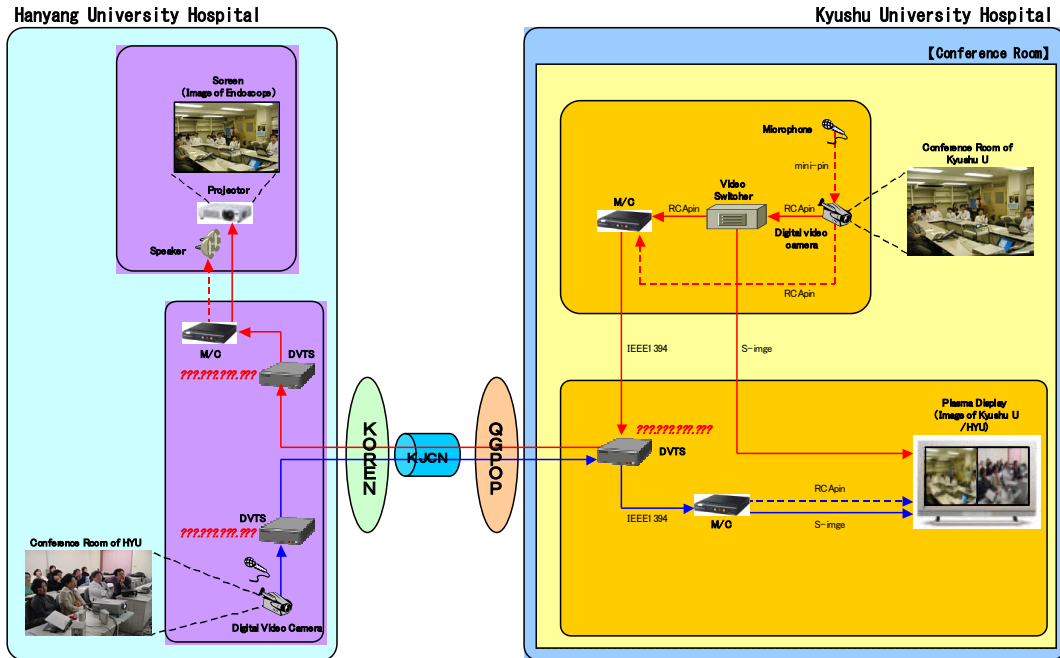
Plan of Network Configuration of Telemedicine event

Notes	
— Endoscope of Kyushu U	--- Audio
— OP Room of Kyushu U	■ Preparation by Kyushu.U Hospital
— Conference Room of HYU	■ Preparation by HYU
--- Mixed Audio	■ Preparation by QIC



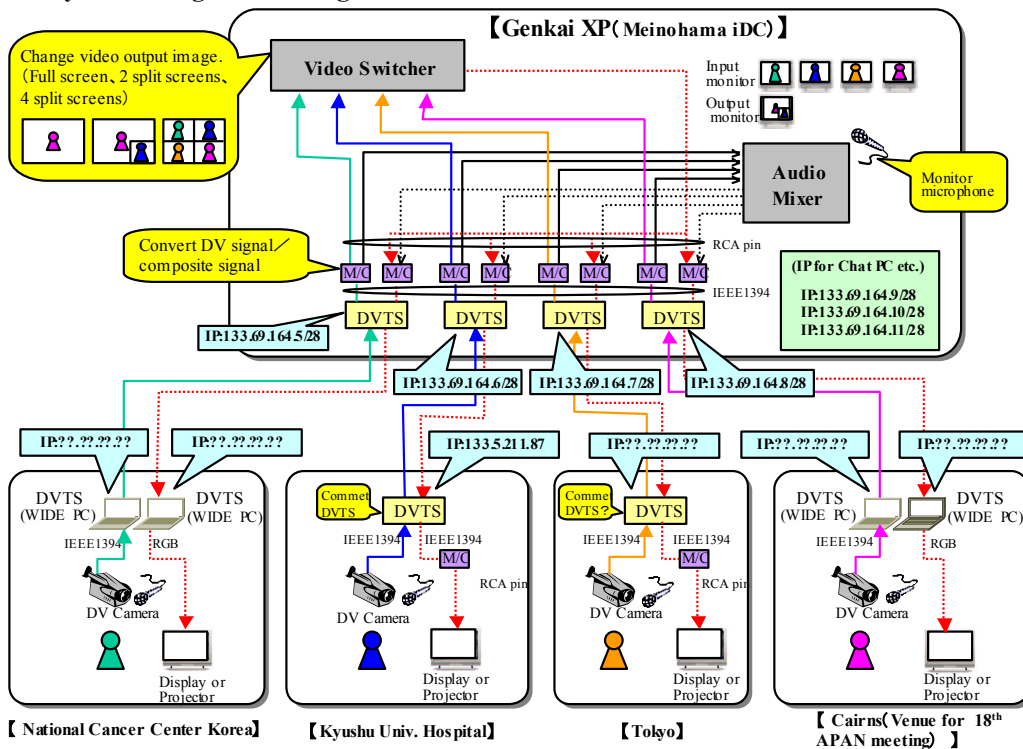
#11 移植カンファレンス 2004.5.31

Plan of Network Configuration of Teleconference event



#12 アジア太平洋先端ネットワーク (APAN) @ケアンズ 2004.7.2

◆System configuration image

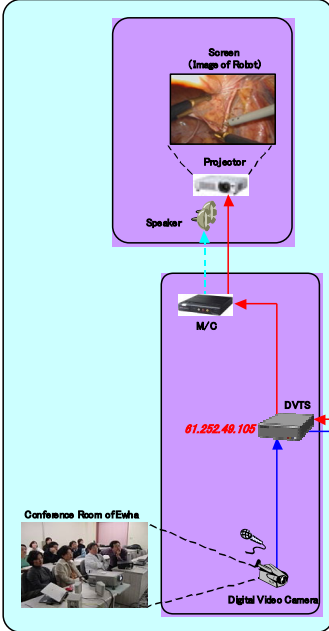


#15 ロボットセミナー 2004.7.15

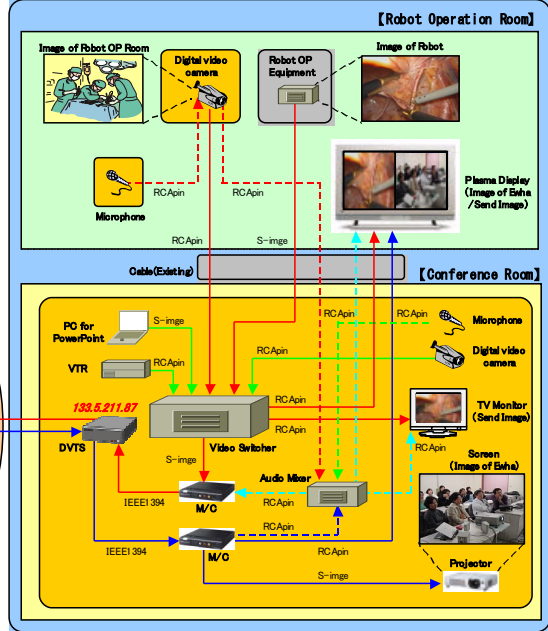
Plan of Network Configuration of Telemedicine event

- Notes
- Robot of Kyushu U
 - Conference Room of Kyushu U
 - Conference Room of Ewha U
 - Mixed Audio
 - - - Audio
 - Preparation by Kyushu U Hospital
 - Preparation by Ewha U
 - Preparation by QIC

Ewha Womans University Hospital



Kyushu University Hospital

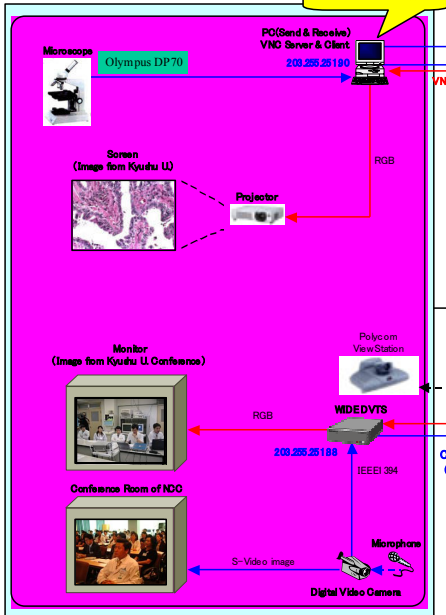


#17 EBウイルス関連疾患の症例検討 2004.8.27

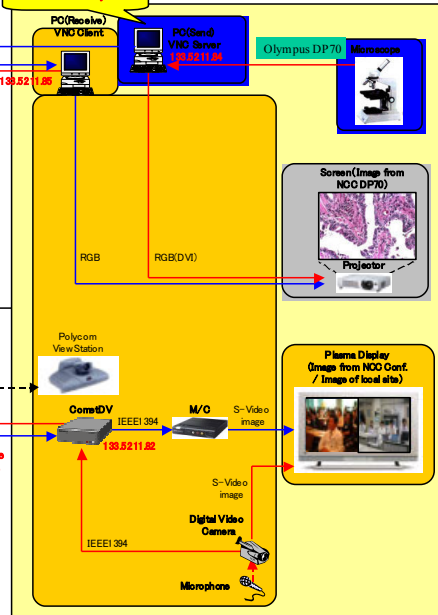
Plan of Network Configuration of Telemedicine event (Final Config.)

- Notes
- Image from Kyushu U
 - Image from NCC
 - Audio
 - Preparation by Kyushu U
 - Preparation by NCC
 - Preparation by Olympus
 - Preparation by QIC

National Cancer Center of Korea



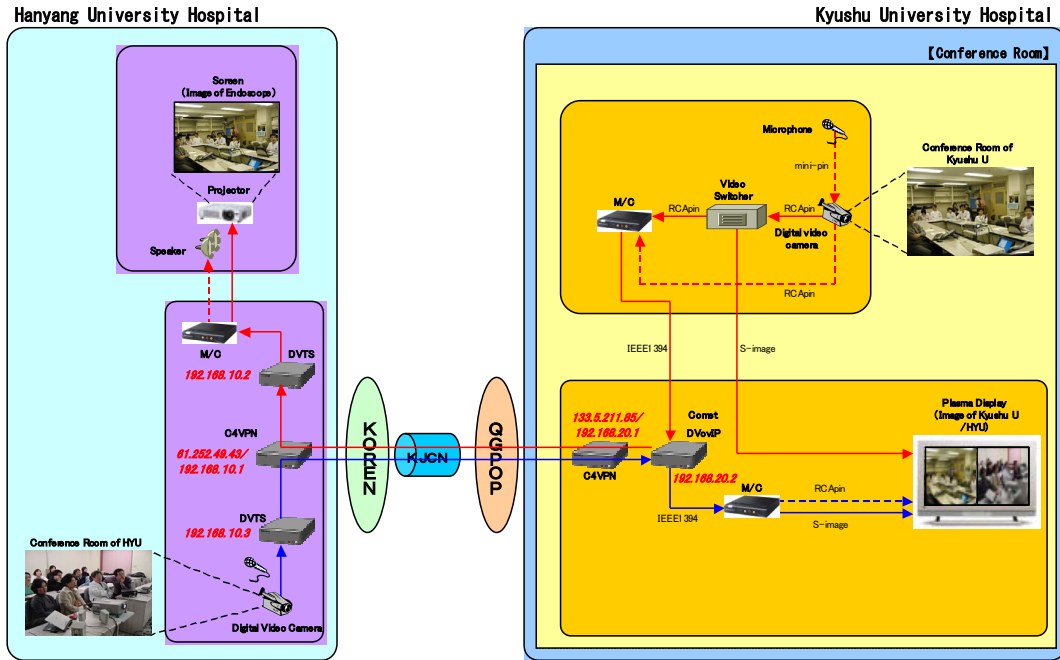
Kyushu University Hospital



#19 内視鏡テレカンファレンス 2004.9.15

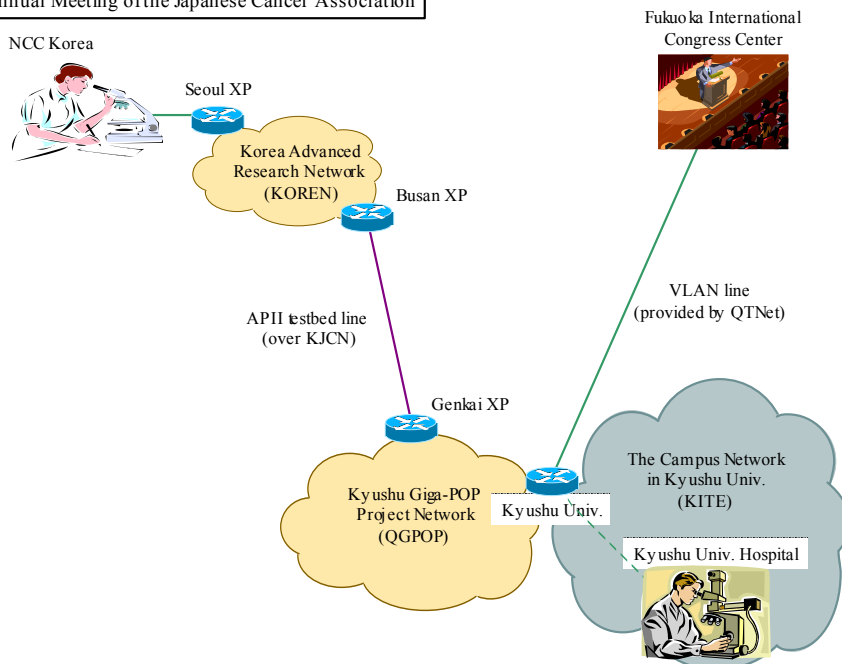
Plan of Network Configuration of Teleconference event

—	Conference Room of Kyushu U		Preparation by Kyushu U Hospital
—	Conference Room of HYU		Preparation by HYU
- - -	Audio		Preparation by QIC



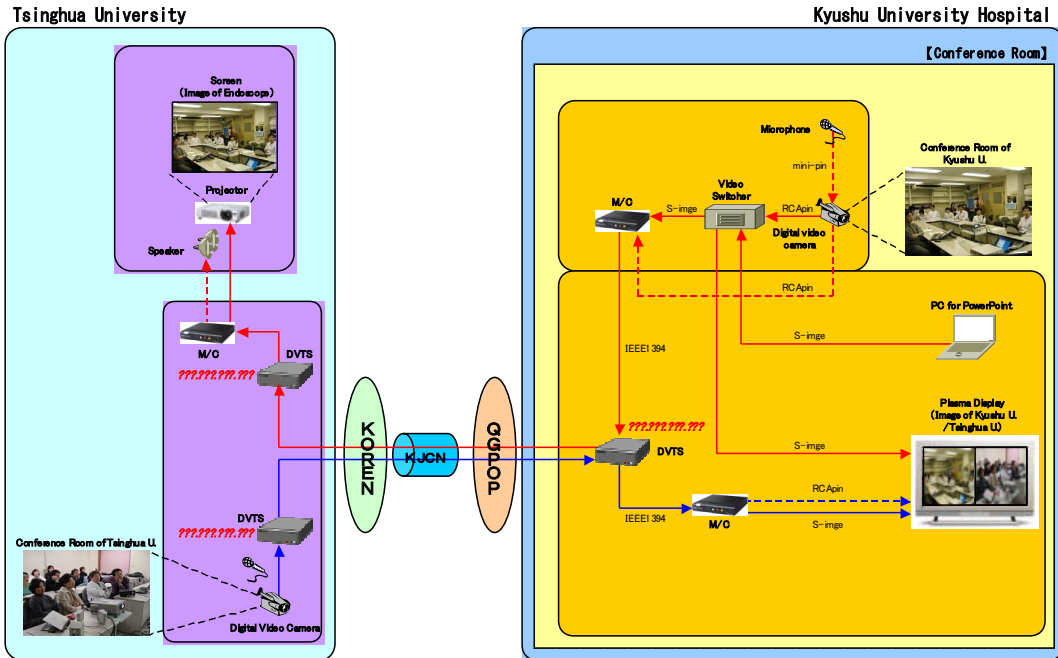
#20 日本癌学会 2004.9.30

Network Configuration for Asian Session in the 63rd Annual Meeting of the Japanese Cancer Association



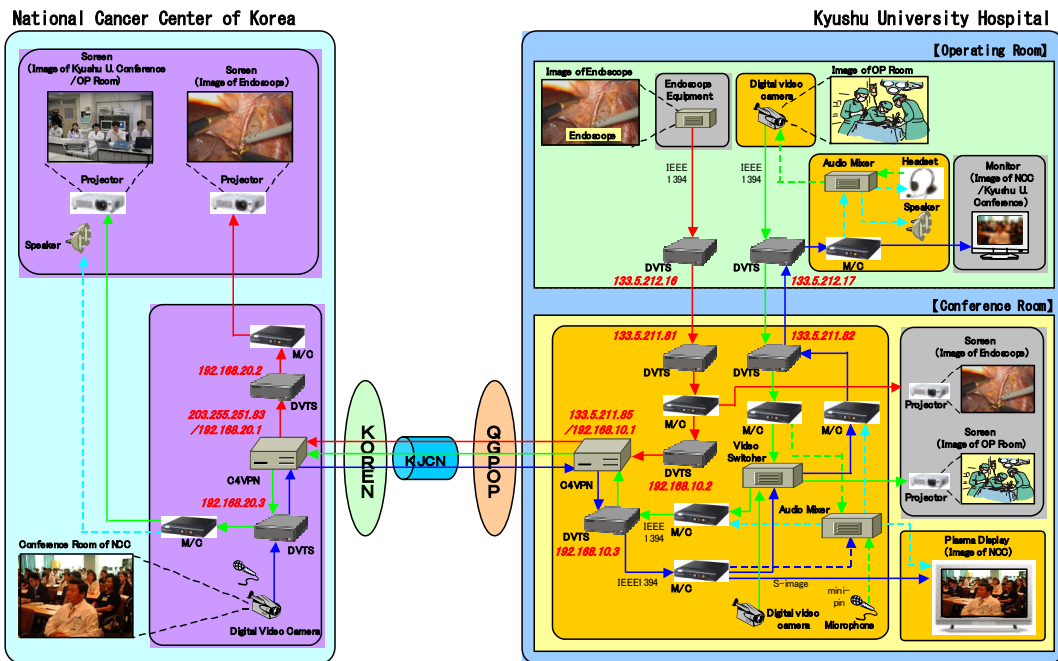
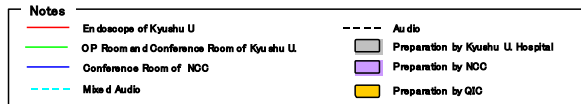
#21 アジア太平洋遠隔教育カンファレンス (APRU) 2004.10.12

Plan of Network Configuration of Teleconference event



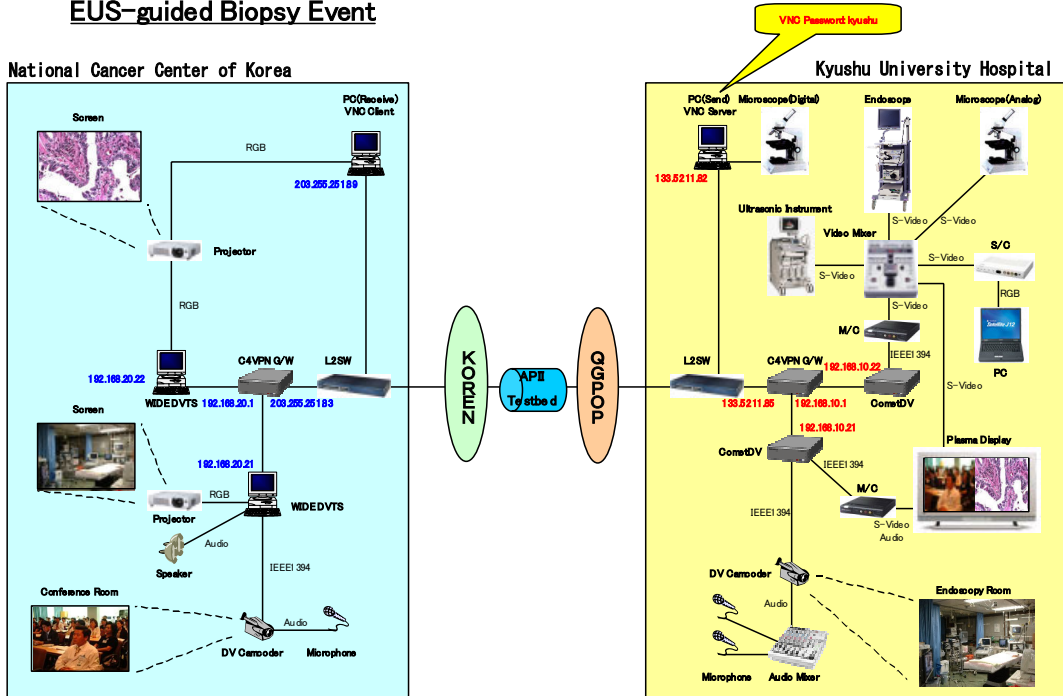
#22 腹腔鏡下胃切除術セミナー 2004.10.22

Plan of Network Configuration of Telemedicine event



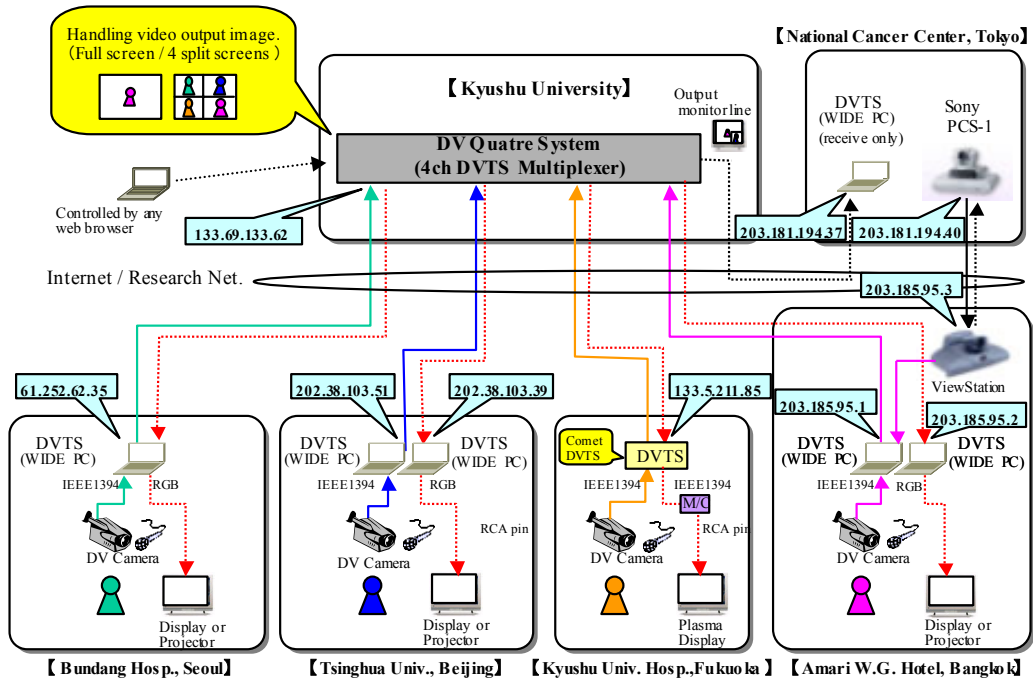
#24 超音波内視鏡ライブ中継 2004.11.11

System Configuration for
EUS-guided Biopsy Event



#32 アジア太平洋先端ネットワーク (APAN) @バンコク 2005.1.26

◆System configuration image



#35 膝・膝島移植研究会 2005.3.18

◆System configuration image

